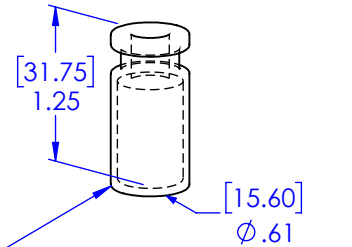
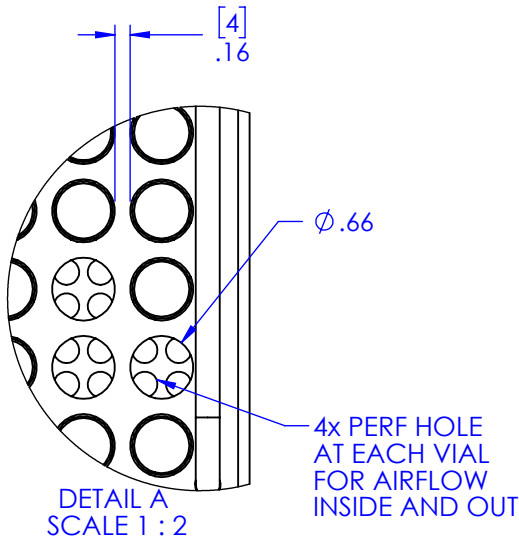
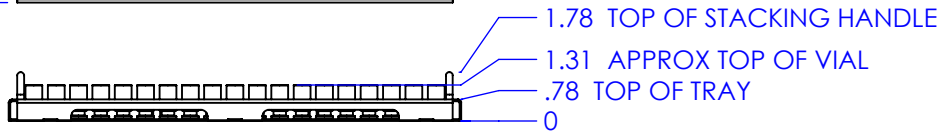
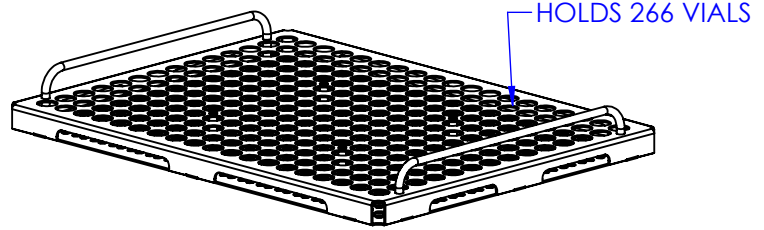
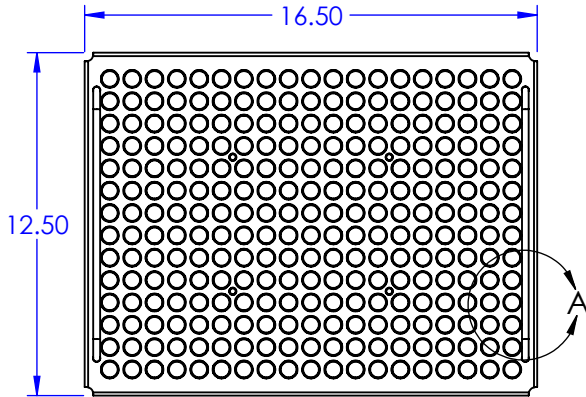


REY1754-13172

VIAL TRAY

304 STAINLESS STEEL CONSTRUCTION

www.reytek.com



TRAY DESIGNED TO HOLD THIS SIZE VIAL (NOT INCLUDED)

.47 CLEARANCE (VIAL TO TRAY)



NOTE: STACKING REQUIRES LARGER CONTAINER OR RACK TO PREVENT LATERAL MOVEMENT