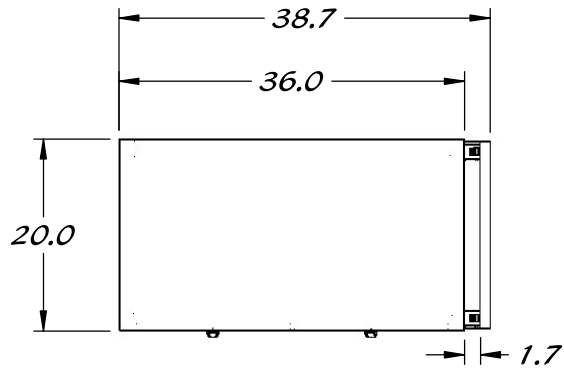


REY1917

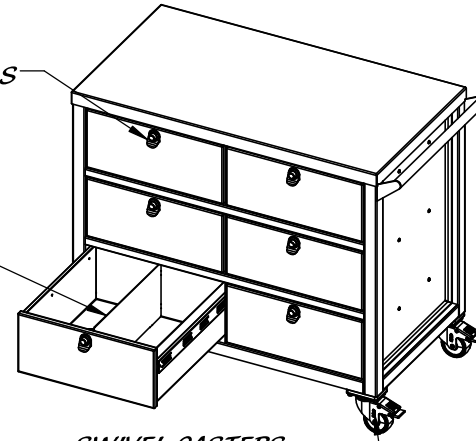
CART WITH DRAWERS

304 STAINLESS STEEL CONSTRUCTION

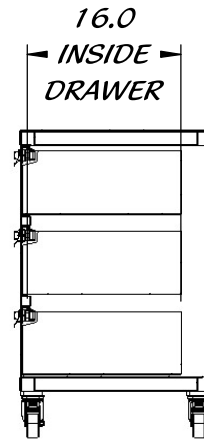
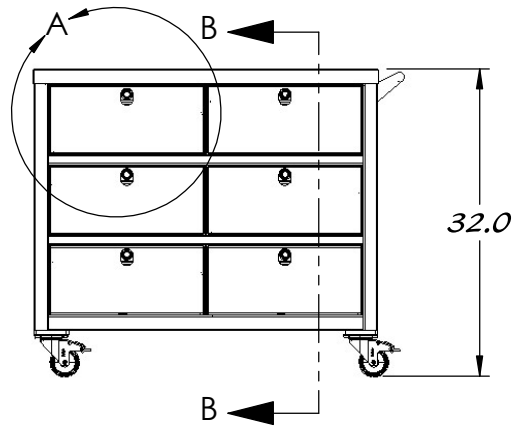


PLASTIC
DRAWER PULLS

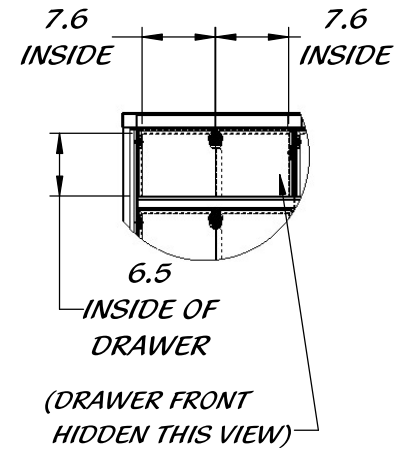
DIVIDER
IN MIDDLE
OF EACH
DRAWER



SWIVEL CASTERS
POLYURETHANE WHEEL
w/ BRAKES



SECTION B-B



DETAIL A