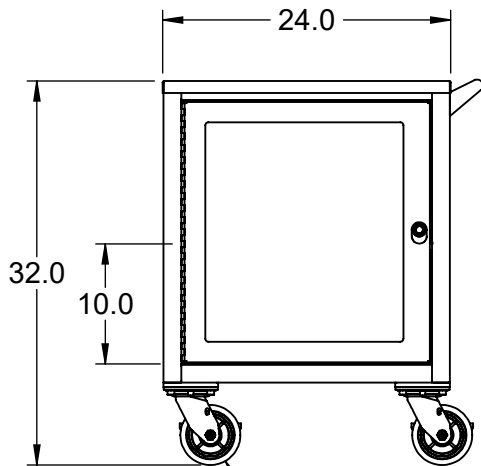
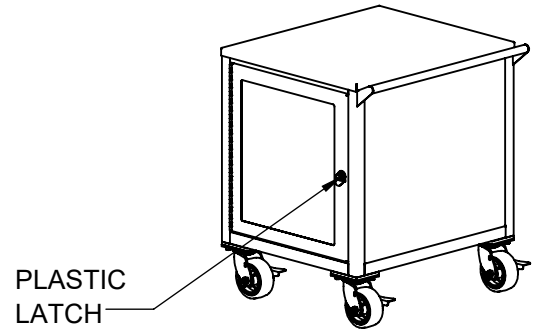
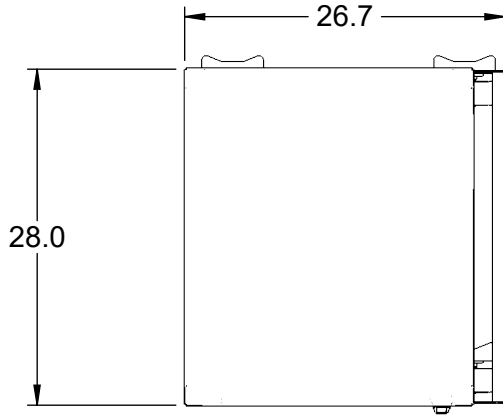
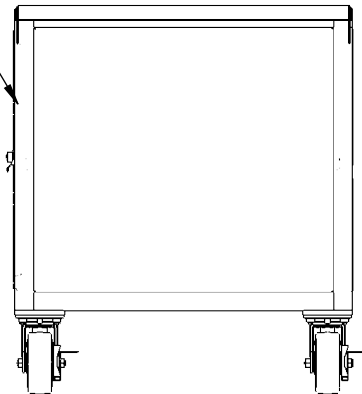


# REY2731

# 3-SHELF CART w/ DOORS



TEMPERED  
GLASS WINDOWS  
IN DOORS



Ø 5.0" SWIVEL  
LOCKING CASTERS  
W/ POLYURETHANE WHEELS