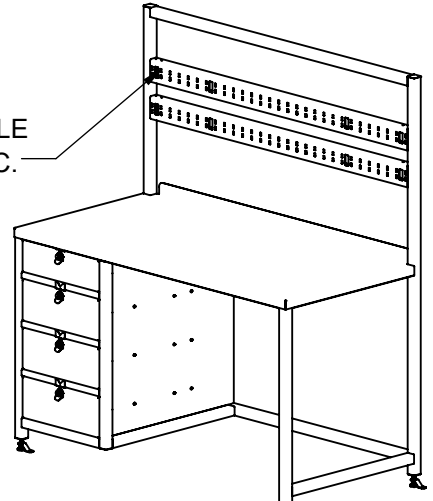


304 STAINLESS STEEL CONSTRUCTION

MODULAR RACKS CAN ACCOMMODATE MOVEABLE SHELVES, MONITORS, ETC.



LEVELLERS

