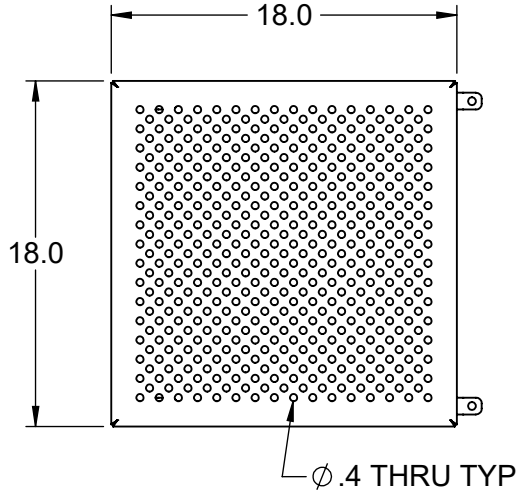


# REY2711

# PERFORATED TOP BENCH

304 STAINLESS STEEL CONSTRUCTION

12 GA PERFORATED TOP



1.50 x 1.50 SQ  
16 GA TUBE

