

REY2662

OPEN-BOTTOM CABINET

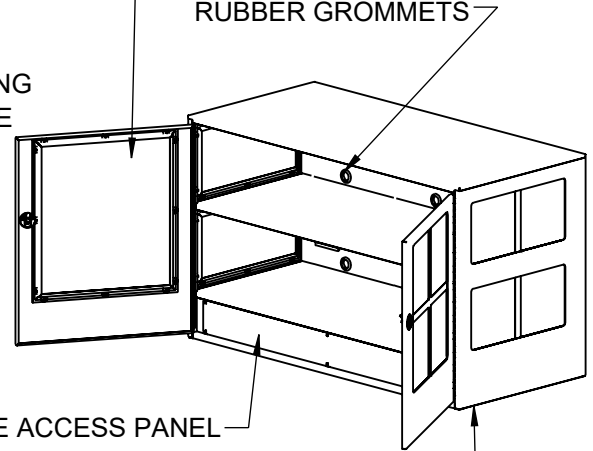
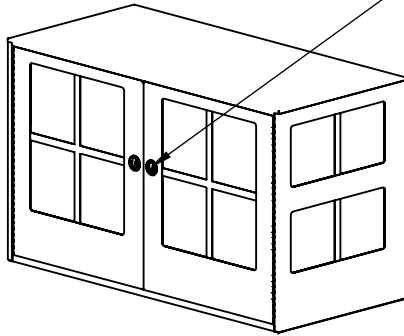
www.reytek.com

304 STAINLESS STEEL CONSTRUCTION

TEMPERED GLASS WINDOWS
w/ SILICONE GASKET

CORD HOLES w/
RUBBER GROMMETS

PLASTIC LOCKING
PUSH-TO-CLOSE
LATCHES



REMOVABLE ACCESS PANEL

NO BOTTOM PANEL
BELOW LOWER SPACE
(OPEN TO FLOOR)

