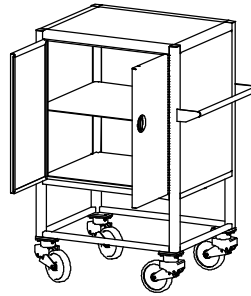
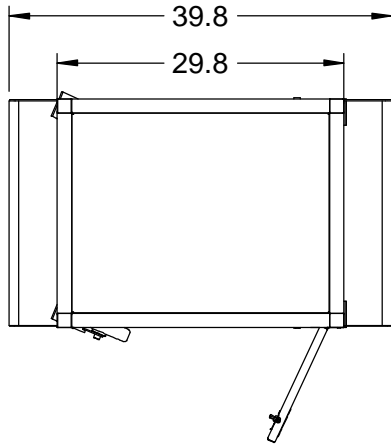


REY2653 OPEN

ANTI-VIBRATION CART

www.reytek.com

304 STAINLESS STEEL CONSTRUCTION



GASKET MATERIAL
ON VERTICAL
DOOR FLANGE

TWO-POINT
LATCH

SHOCK ABSORBING
CASTERS 2X SWIVEL

SHOCK ABSORBING
CASTERS 2X RIGID

