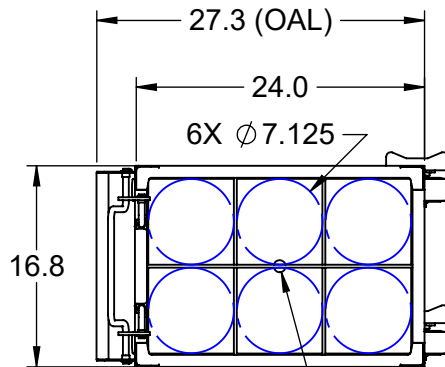


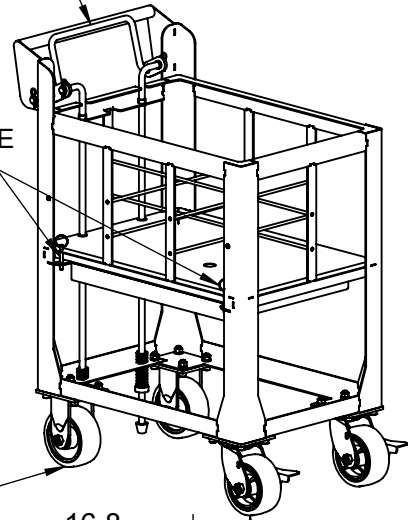
304 STAINLESS STEEL CONSTRUCTION

SPRING LOADED BRAKE,
PULL TO RELEASE



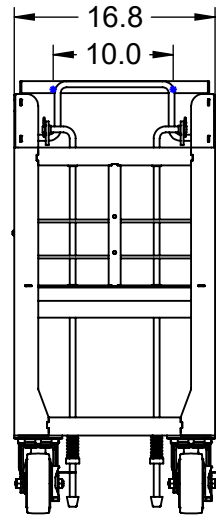
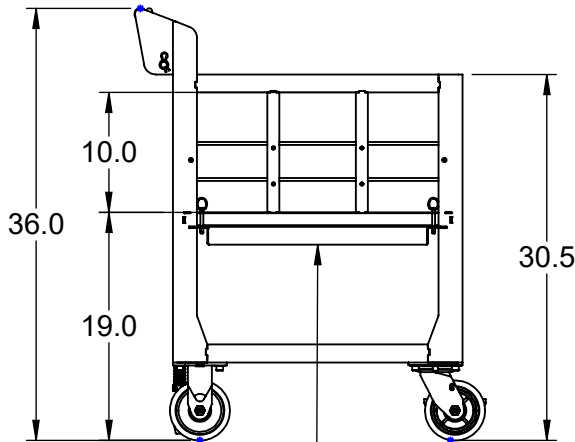
2X QUICK-RELEASE
PIN W/LANYARD

2X 5" RIGID
LOCKING
CASTER



ϕ 1.0
DRAIN HOLE

2X 5" SWIVEL
LOCKING
CASTER



LEAK CONTAINMENT PAN
APPX CAPACITY 1.25 GALLONS
SLIDES OUT TO DRAIN