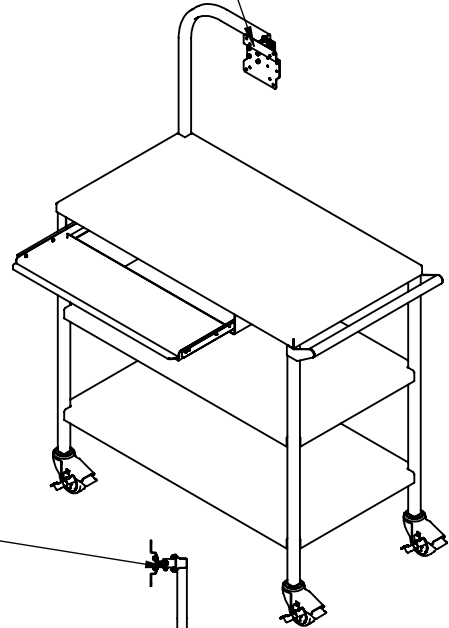
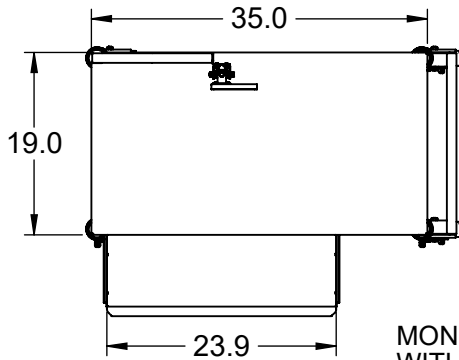
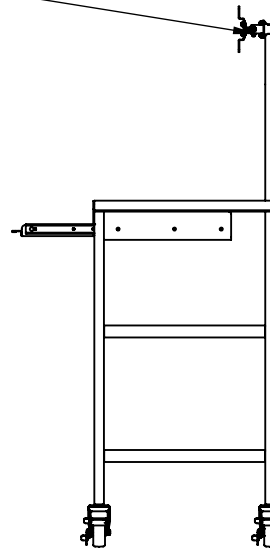
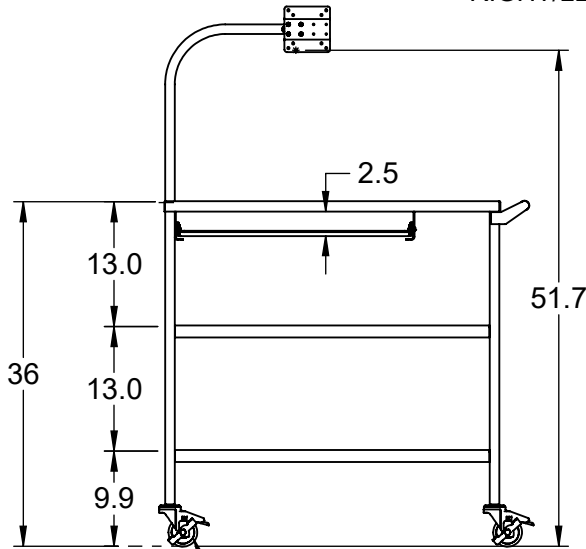


304 STAINLESS STEEL CONSTRUCTION

MONITOR NOT INCLUDED



MONITOR MOUNT  
WITH 75 & 100 VESA  
MOUNTING HOLES  
SWIVELS UP/DOWN &  
RIGHT/LEFT



STAINLESS STEEL LOCKING CASTERS  
WITH URETHANE WHEELS