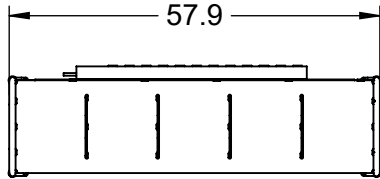


REY2557

HELMET RACK

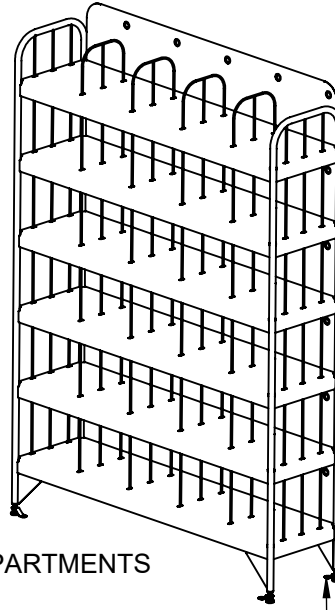
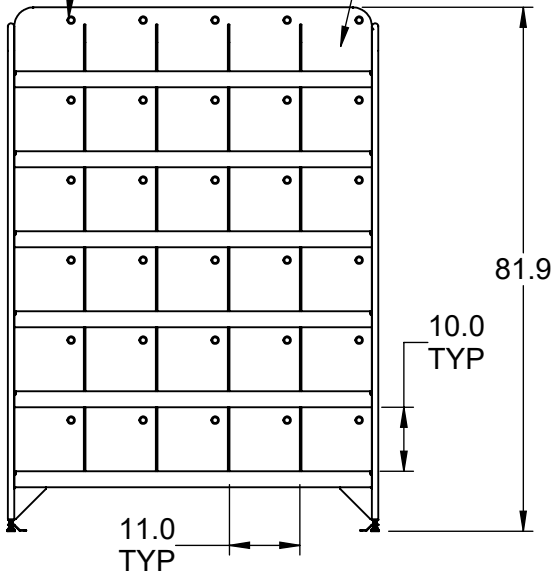
www.reytek.com

304 STAINLESS STEEL CONSTRUCTION

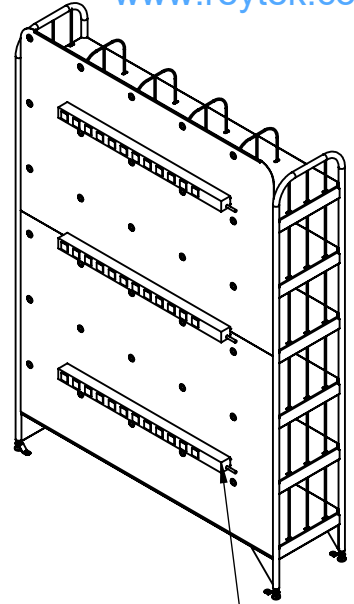


EACH COMPARTMENT HAS GROMMETED HOLE FOR CHARGING CORD

30 COMPARTMENTS



BOLT DOWN FLOOR LEVELERS



3 X PLUG MOLD STRIPS EACH WITH 12 OUTLETS MOUNTED TO BACK PANEL