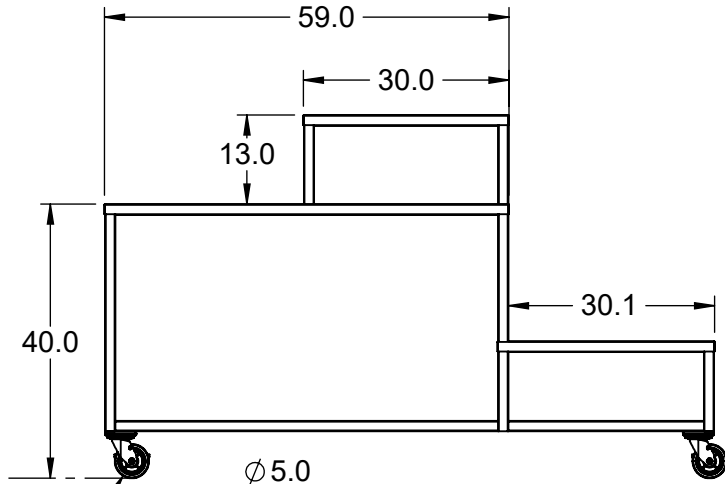
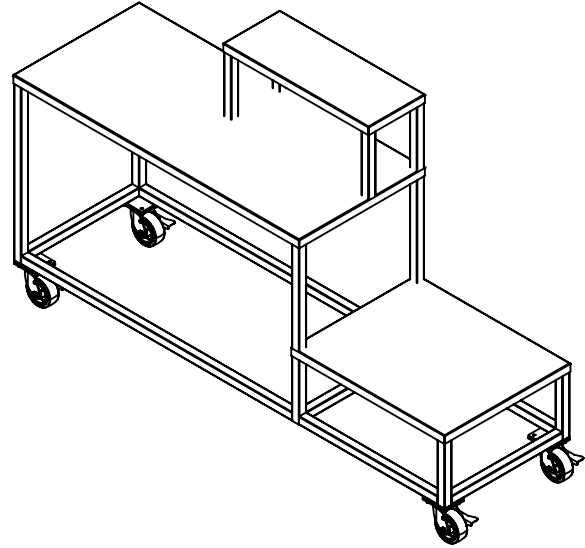
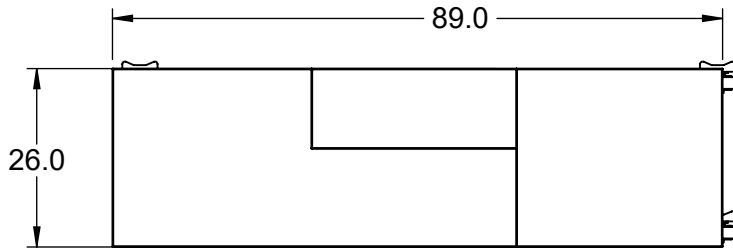


304 STAINLESS STEEL CONSTRUCTION



Ø 5.0
Locking Casters
Polyurethane Wheels

