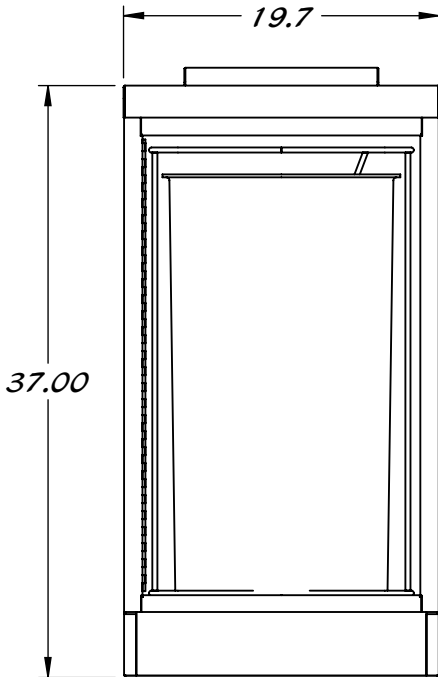
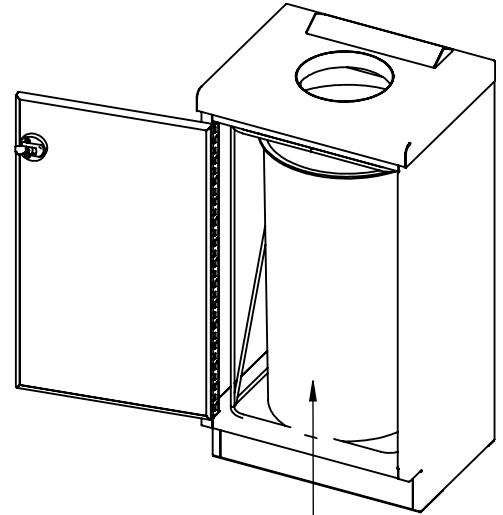
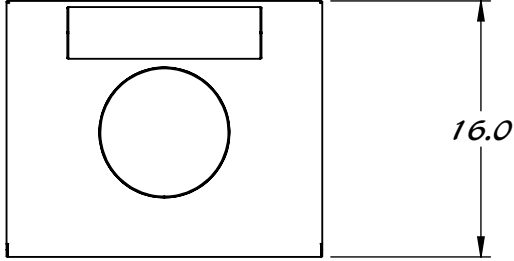


REY1192-150

SAFETY GLASS RECYCLE

STAINLESS STEEL CONSTRUCTION



*Property of Reytek Corporation.
Use of this information without the prior consent of Reytek Corporation is strictly forbidden.*