

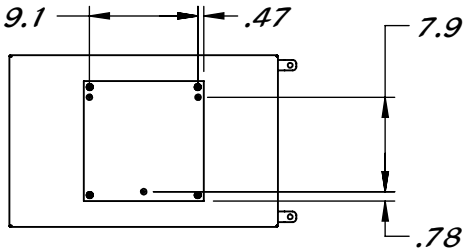
REY1517

Wafer Transfer Station

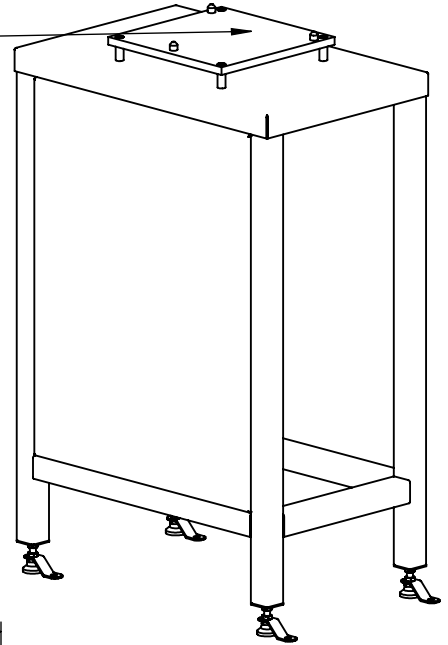
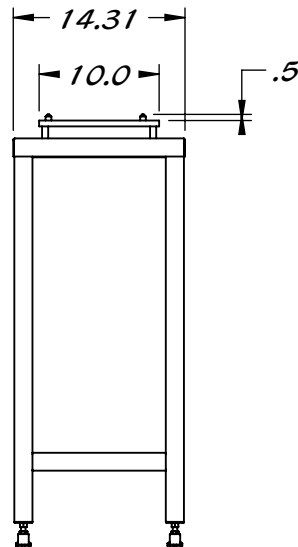
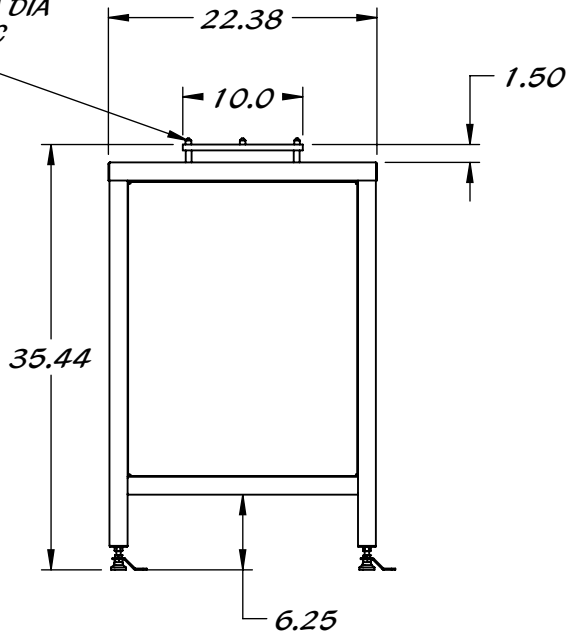
STAINLESS STEEL CONSTRUCTION,
EXCEPT ALUMINUM
KINEMATIC PLATE

ALUMINUM PLATE,
CLEAR ANODIZED

KINEMATIC PIN LOCATIONS



3 X 12MM DIA
KINEMATIC
PINS



Property of Reytek Corporation.

Use of this information without the prior consent of Reytek Corporation is strictly forbidden.