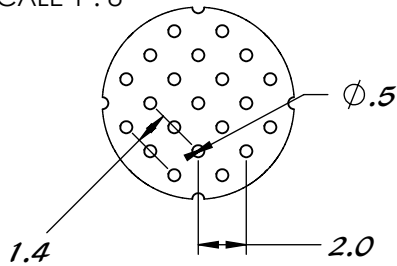
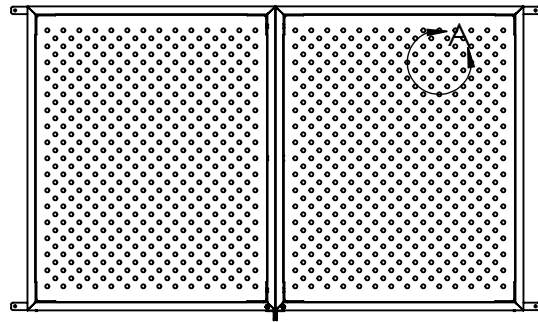
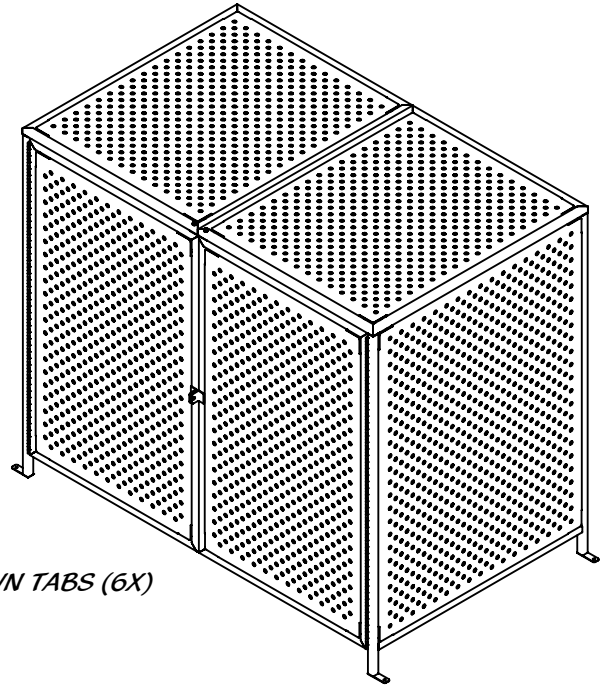


PERFORATION DETAIL A
SCALE 1 : 8



STAINLESS STEEL CONSTRUCTION



BOLT-DOWN TABS (6X)

