

REY1590

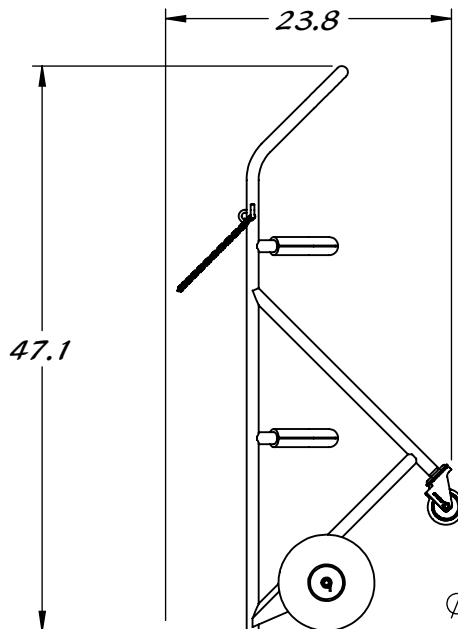
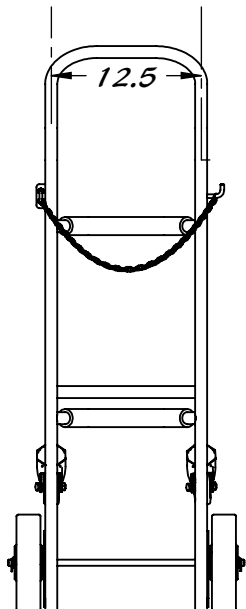
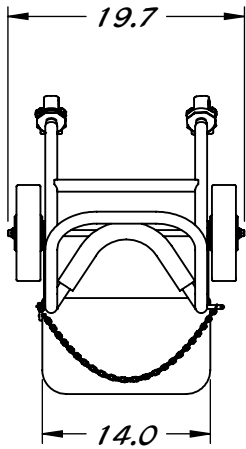
Stainless Steel Hand Truck

STAINLESS STEEL CONSTRUCTION

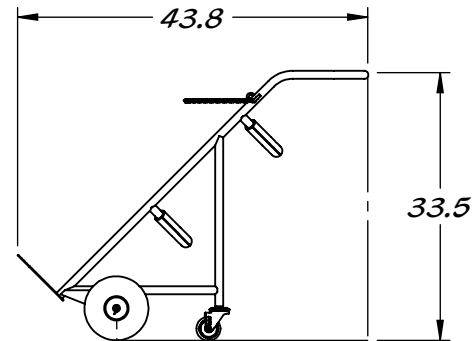
STAINLESS STEEL CHAIN

LATEX TUBE

STAINLESS STEEL CASTER



$\phi 8.0$
POLYURETHANE
WHEEL



Property of Reytek Corporation.

Use of this information without the prior consent of Reytek Corporation is strictly forbidden.