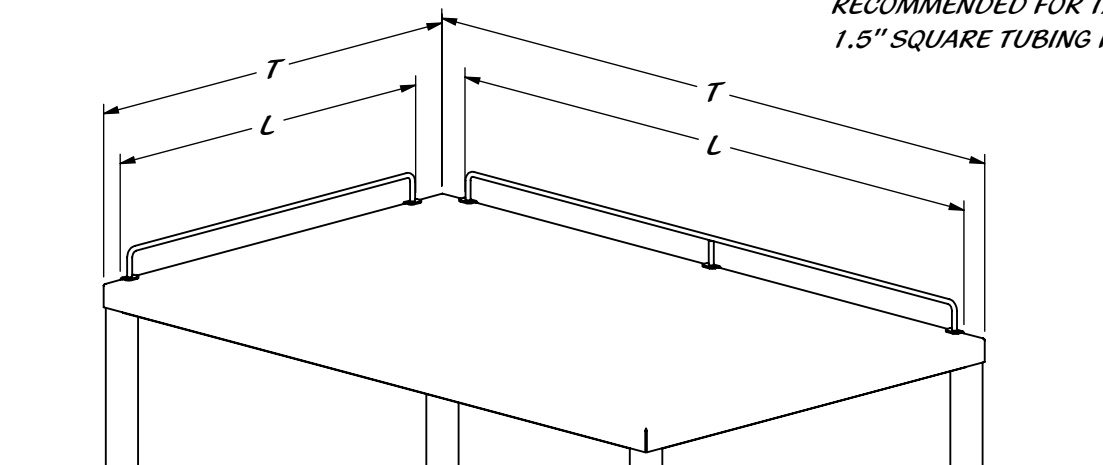


PART NUMBER	LENGTH OF TABLE EDGE(T)	OVERALL LENGTH OF RAIL CLAMPS (L)
REY1830-112	12"	8"
REY1830-124	24	20
REY1830-130	30	26
REY1830-136	36	32
REY1830-142	42	38
REY1830-148	48	44
REY1830-160	60	56
REY1830-172	72	68
REY1830-184	84	80
REY1830-196	96	92



**RECOMMENDED FOR TABLES WITH
1.5" SQUARE TUBING FRAME**